



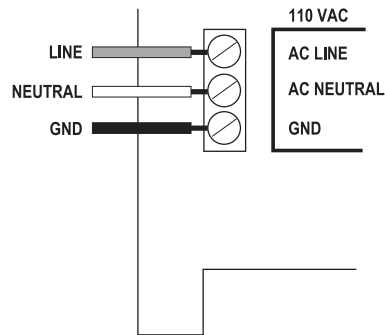
2515 100 Watt AC Power Supply

Description

The Model 2515 is a 120VAC Power Supply designed for the SIMATIC® 505 PLC. The 2515 provides 100 watts at +5vdc and 3.75 watts at -5vdc for use by the PLC CPU and I/O modules. This is almost double the power provided on the backplane compared to other power supplies for the 505. Now you can load up those 16-slot racks with power-hungry modules.

Features

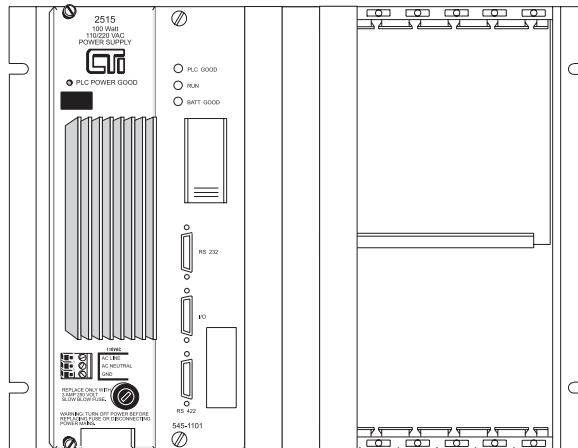
- ◆ 90-264 VAC, 47-63 Hz single phase input power
- ◆ 100 watts @ +5VDC to PLC CPU and modules
- ◆ 3.75 watts @ -5VDC to PLC CPU and modules



110/220 VAC Power Wiring Diagram

Power Supply Location in Base

The Power Supply must always be installed in the left most slot of the 505 bases. See figure below.



WARNING:

Disable all power to the base before installing or removing the power supply. Failure to do so could cause damage to the equipment or injury to

CAUTION:

Do not attempt to operate the Model 2515 Power Supply out of the Input Voltage Operating Ranges of 90 to 264VAC.

Control Technology Inc.

5734 Middlebrook Pike, Knoxville, TN 37921
Phone: 865/584-0440 Fax: 865/584-5720
www.controltechnology.com

Installing and Removing the Power Supply

Use the following steps for installing and removing the Model 2515 Power Supply from the SIMATIC® 505 base.

1. Position the power supply so that the bezel is facing you.
2. Grasp the top and bottom of the power supply.
3. Carefully slide the power supply into the left most slot in the base until it engages into the backplane connectors.
4. Tighten top and bottom bezel screws into the base chassis.

To remove power supply, reverse procedures 1 through 4 used for installation.

Specifications	
General	
AC Power Connection	3-pin terminal strip
Module Size, Weight	Triple-wide, 5.0 lbs (2.3 kg)
Backplane Power Supplied	100 Watts (5.1 Volts @ 20 Amps), 3.75 Watts (-5.0 Volts @ 0.75 Amps)
Electrical	
Input Voltage Range	90 - 264 VAC, 47 - 63 Hz single phase
Steady State Input Current	1.2A max @ 110 VAC, 0.6A max @ 220 VAC
Peak Inrush Current	2.0 Amp (max.) @ 120 VAC input
Fusing	3.0 Amp 250 V, 3AG, front panel accessible
Total Wattage Rating	103.75 Watts maximum output
Isolation	2800 VDC: 110/220 VAC to backplane 1500 VDC: Chassis to backplane 1500 VDC: 110/220 VAC to chassis
Hold Up Time	100 msec minimum from loss of AC input at full load, nominal line (115 VAC)
Overload Protection	Fully protected against short circuit and output overload. Recovery after fault is automatic.
Output Noise	0.5% RMS, 1% Pk-Pk, 20 MHz Bandwidth, differential mode, measure with noise probe directly across output terminals of power supply.
Power Factor Correction	IEC 1000-3-2, PF=0.99
EMI Compliance	FCC 20870 Class B , CISPR 22 Class B
ESD Protection	IEC 1000-4-2 Level III
Transient Protection	IEC 1000-4-4 Level III
Input Surge Protection	IEC 1000-4-5 Level III
Environmental	
Operating Temperature	0°C to 60°C (32°F to 140°F)
Storage Temperature	-40°C to 85°C (-40°F to 185°F)
Relative Humidity	5% to 95%, non-condensing
Agency Approvals	
UL, UL Canada FM Class 1 Div 2, CE	Pending Pending

Every effort has been made to ensure the accuracy of this document; however, errors do occasionally occur. CTI provides this document on an "as is" basis and assumes no responsibility for direct or consequential damages resulting from the use of this document. This document is provided without express or implied warranty of any kind, including but not limited to the warranties of merchantability or fitness for a particular purpose. This document and the product it references are subject to change without notice. If you have a comment or discover an error, please call us toll-free at 1-800-537-8398. For a copy of CTI's Product Warranty and Product Repair Policy, please visit our Web site at www.controltechnology.com.