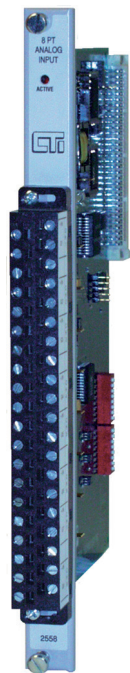


2558

8-Channel Analog Input Module



Description

The 2558 is an 8-channel analog input module designed to be compatible with the SIMATIC® 505 series I/O base. The 2558 translates analog input signals into equivalent digital words. The 2558 is fully compatible with all versions of the 545 and 555 PLCs.

Features

- SIMATIC® 505 base format
- 8 analog input channels
- 140Vrms isolation between channels
- 1500V channel-to-PLC backplane isolation
- Supports 16-bit and 13-bit resolution
- Fast 5 mSec update time for all 8 channels
- No external power supply required for module
- No external current resistor required
- On-board calculations for 4-20 mA offset inputs
- Single-wide module

Specifications

Input Channels: 8 analog input channels

Signal Range:

Unipolar: 0 to 5 VDC, 0 to 10 VDC, or 0 to 20 mA

Bipolar: -5 to +5 VDC, -10 to +10 VDC, or -20 to +20 mA

Update Time: 8 WX mode;
5 mSec all channels

Digital Filtering Time Constant: 0.3 Sec

DC Input Resistance:

Voltage mode: 780k Ω

Current mode: 250 Ω

Repeatability: 0.0025%

Accuracy:

Voltage mode: 0.1% of full scale from 0° to 60°C

Current mode: 0.2% of full scale from 0° to 60°C

Resolution 8 WX Mode:

Unipolar 15 bits plus sign:

0 - 5 VDC range = 156 μ V/step

0 - 10 VDC range = 312 μ V/step

0 - 20 mA range = .625 μ A/step

Bipolar 15 bits plus sign:

-5 to +5 VDC range = 156 μ V/step

-10 to +10 VDC range = 312 μ V/step

-20 to +20 mA range = .625 μ A/step

Common Mode Rejection:

>120db @ 60 Hz (digital filtering disabled)

Normal Mode Rejection:

>40db @ 500 Hz (digital filtering enabled)

Connector: Removable

Wire Gauge: 14-22 AWG

Backplane Power: 3 Watts (maximum)

Module Size: Single-wide

Input Protection:

Input ESD Protection: 20,000 V,
IEC 1000-4-2,
Level 4

Overrange Protection: +/- 300 VDC

Isolation: 1500 VDC channel-to-PLC

Operating Temperature: 0° to 60°C

(32° to 140°F)

Storage Temperature: -40° to 85°C

(-40° to 185°F)

Relative Humidity: 5% to 95%

(non-condensing)

Agency Approvals Pending:

UL, ULC, FM (Class 1, Div. 2), CE

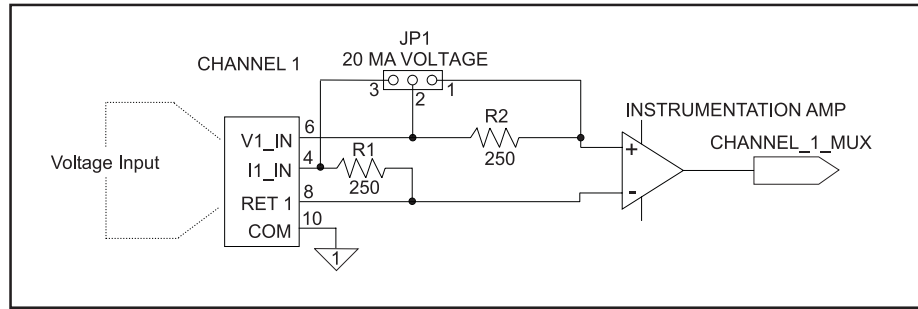
Shipping Weight: 1.5 lb. (0.68 Kg)



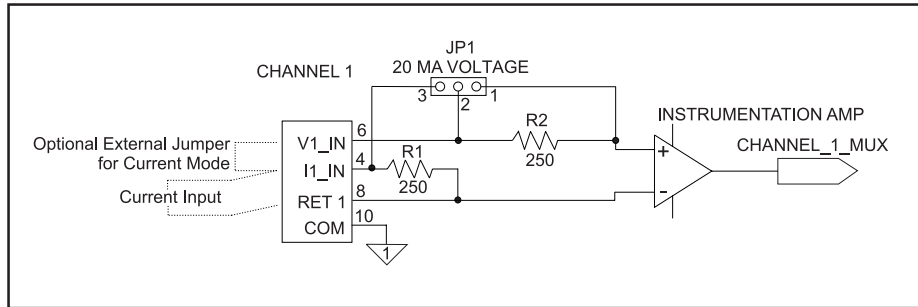
Control Technology Inc.

5734 Middlebrook Pike, Knoxville, TN 37921-5962

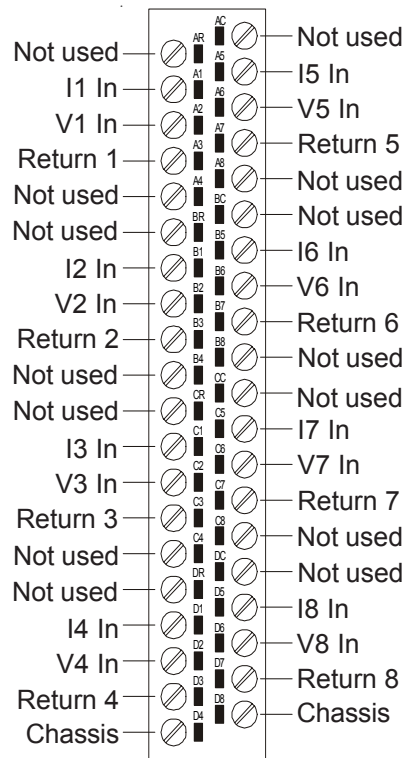
Phone: 865/584-0440 Fax: 865/584-5720 www.controltechnology.com



**Typical Internal Circuit -
Voltage Mode**



**Typical Internal Circuit -
Current Mode**



2558 Wiring Connector